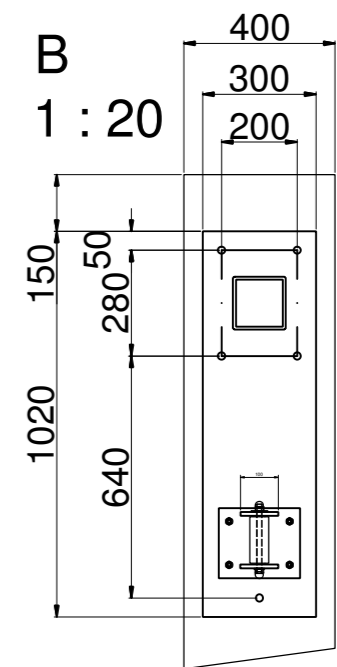
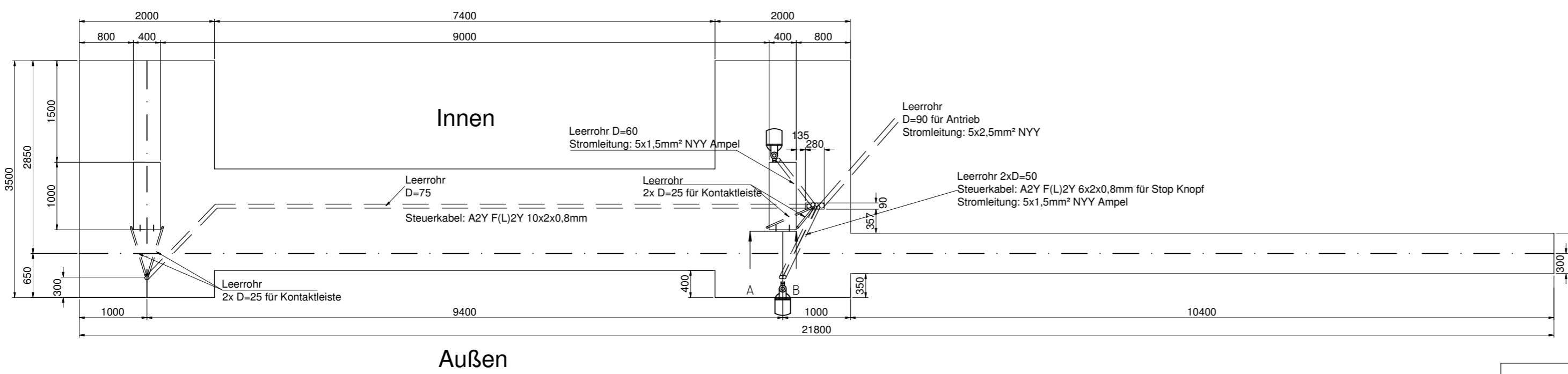


Fundament:



signature

scale		1:60, 1:35		all dimensions in mm		konstruktion		hot-dip galvanised galvanised by flame spraying RAL		drawing title		Tor mit Anprallast	
date		18.11.14		name		Schubert		single-part drawing		ci		pi	
drawing number		1		project number				drawing number		1			
index	modification	date	name	file:									